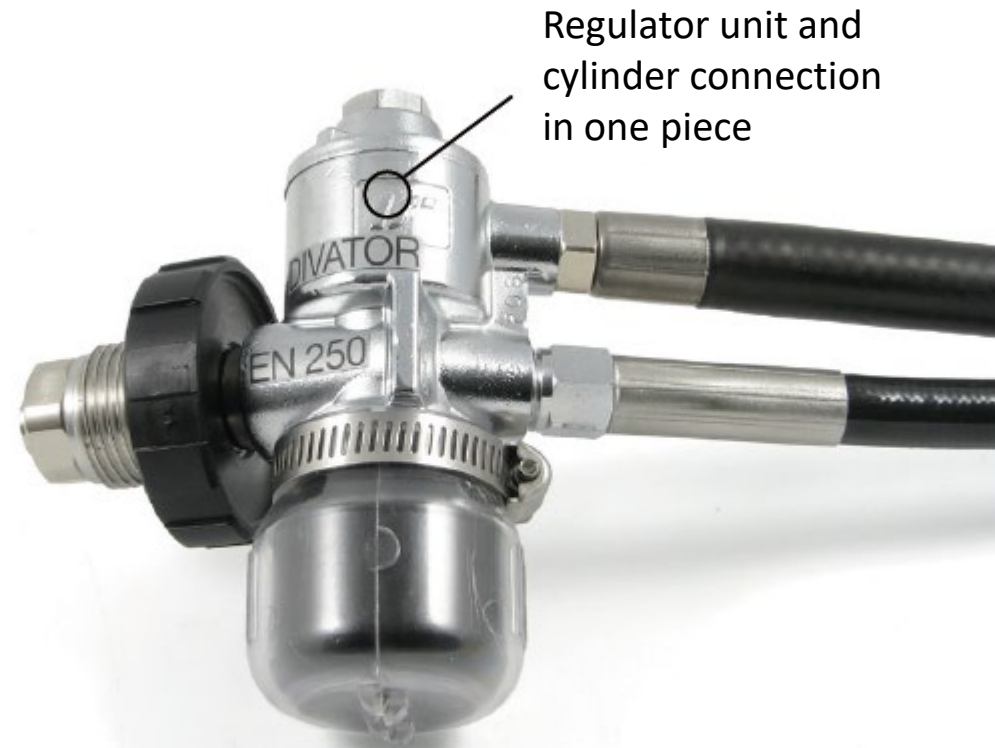


# Diving regulator MKII



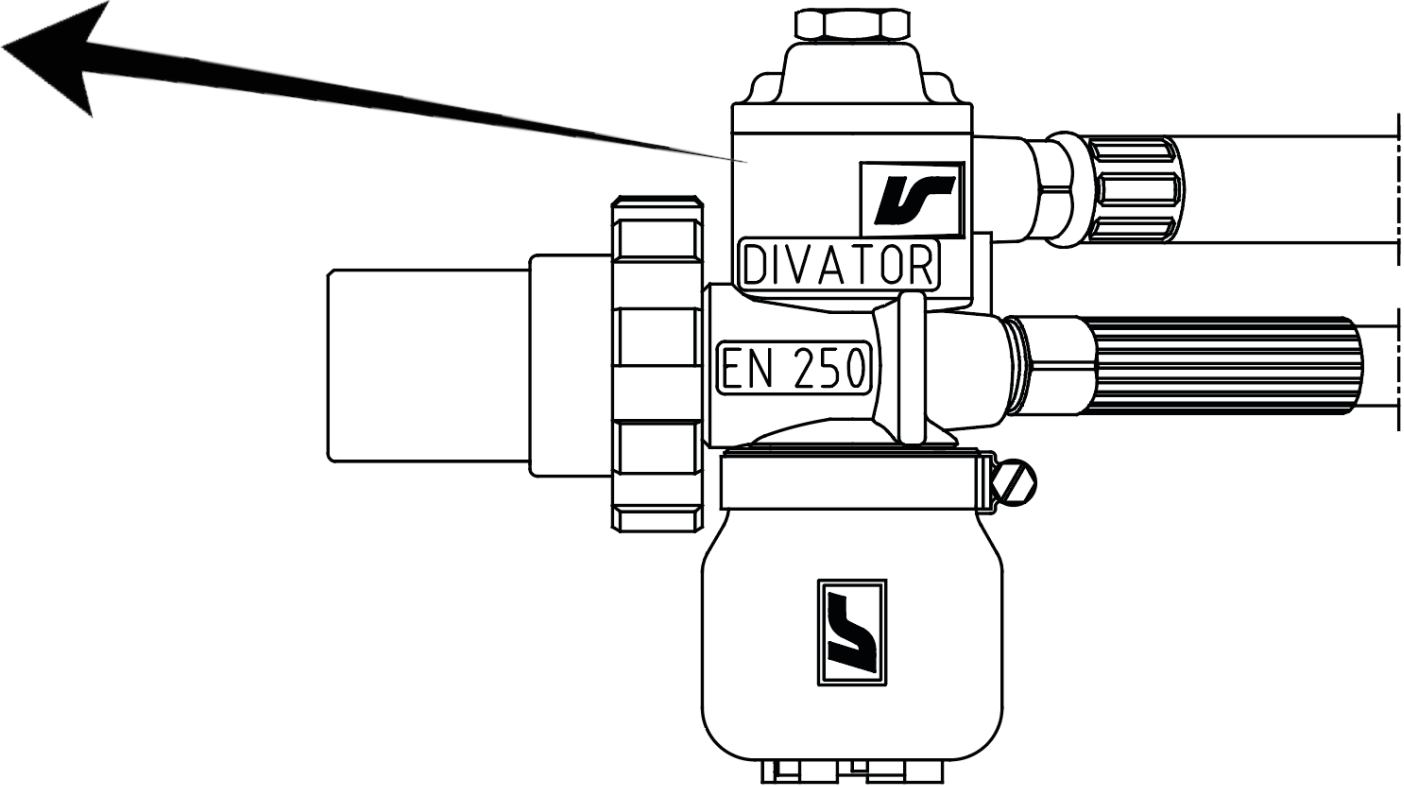
**Divator MKII**

# Marking of diving regulator MKII



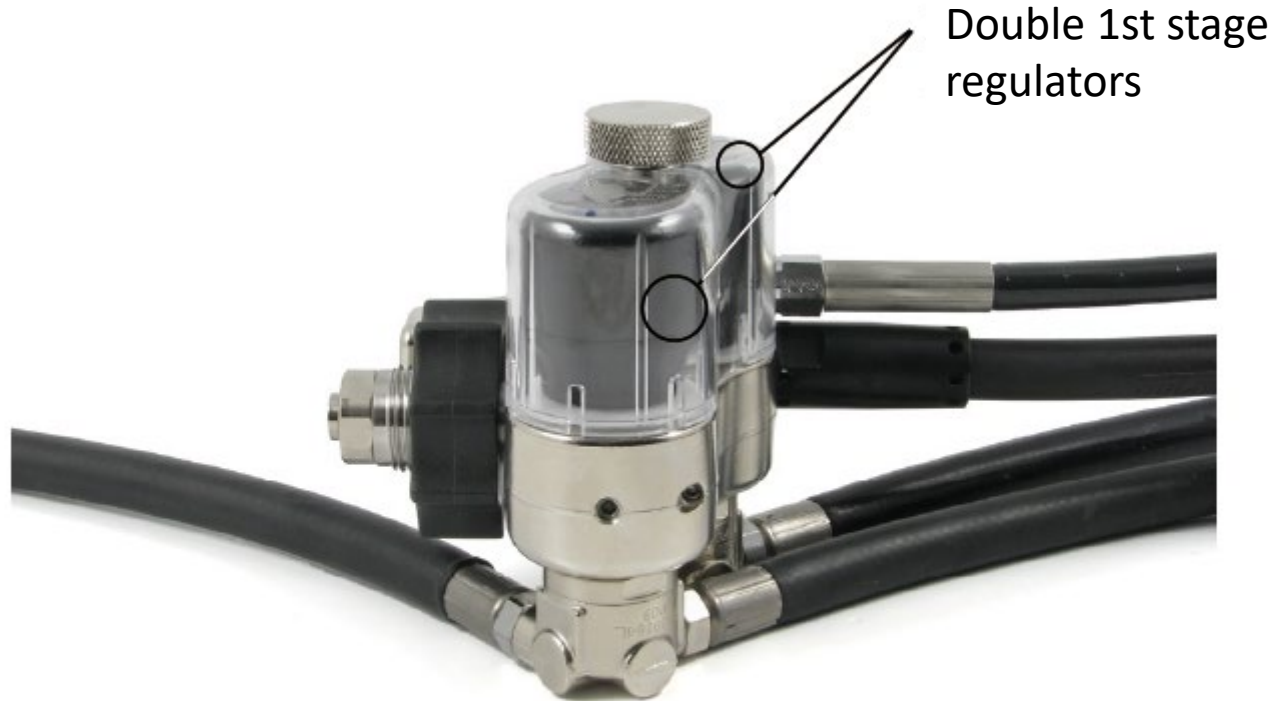
[RYYWWXXX]

**Serial number**



**Divator MKII**

# Diving regulator MKIII



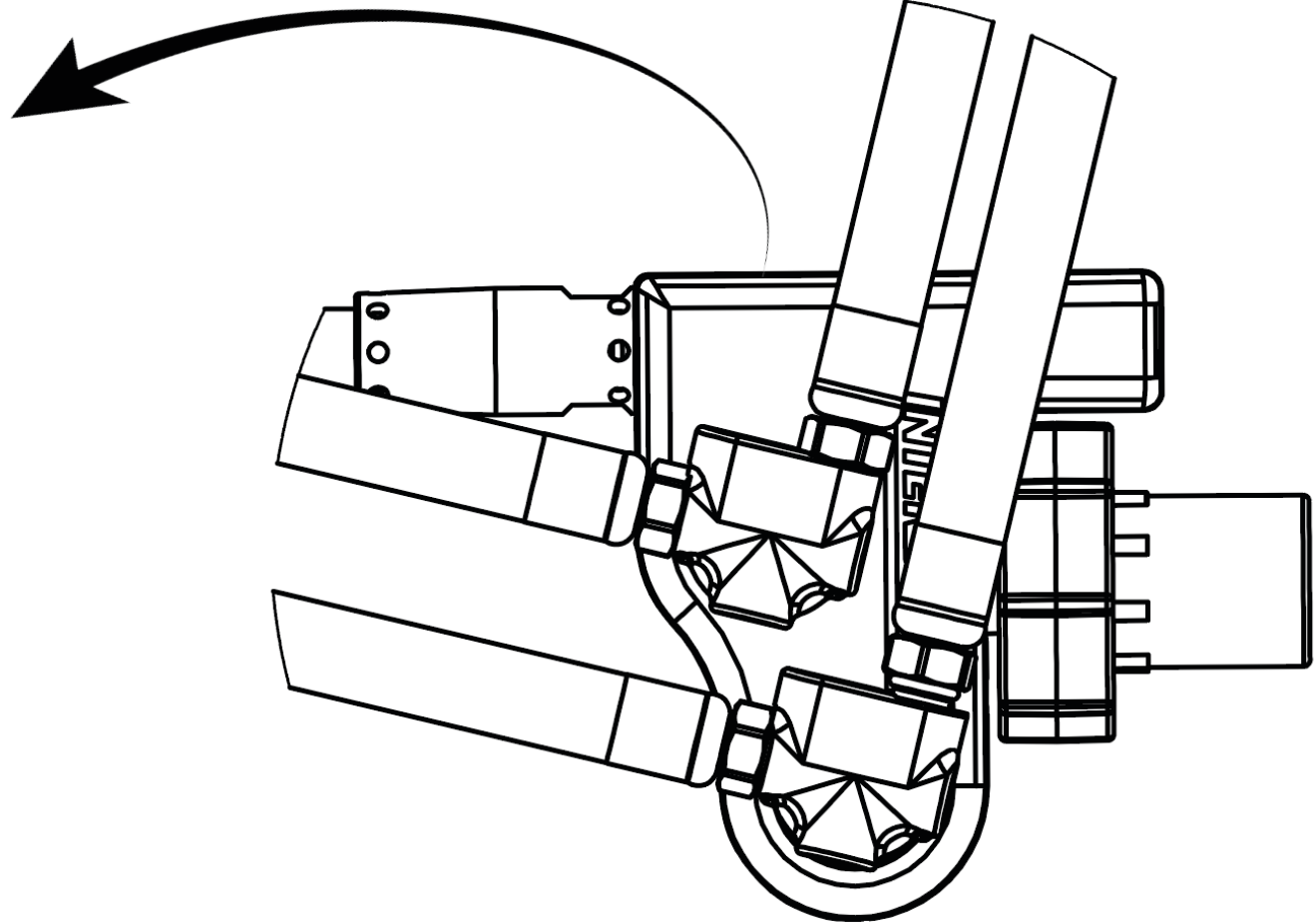
**Divator MKIII**

# Marking of diving regulator MKIII



[RYYWWXXX]

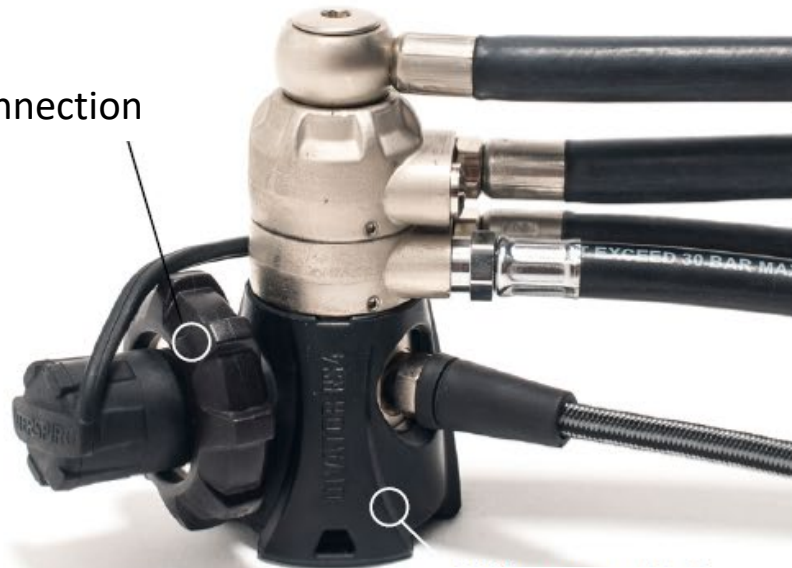
**Serial number**



**Divator MKIII**

# Diving regulator RS4

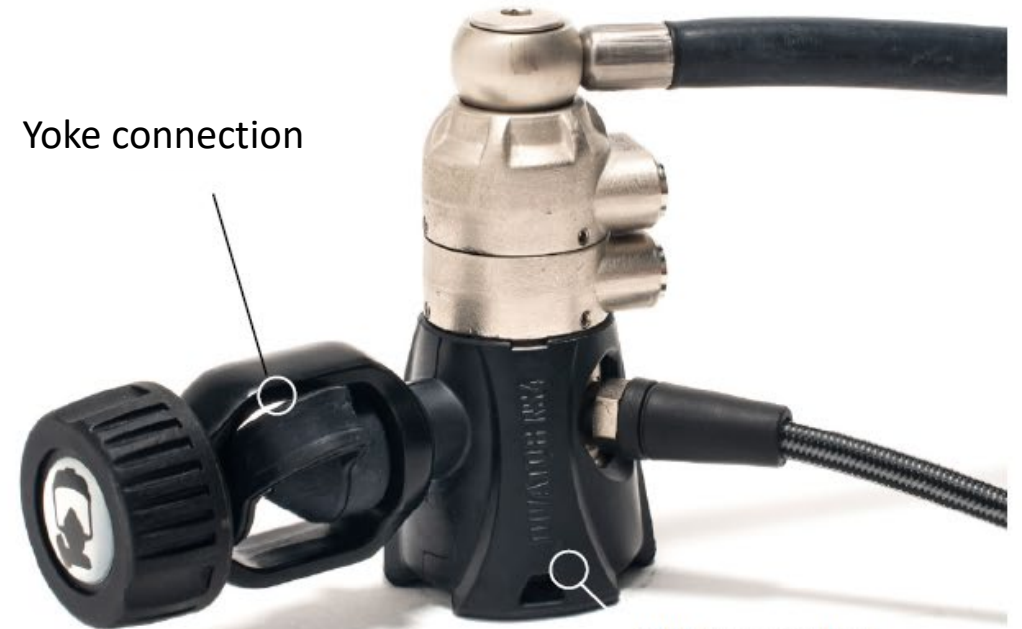
DIN connection



Robust shockproof design  
with rubber cover

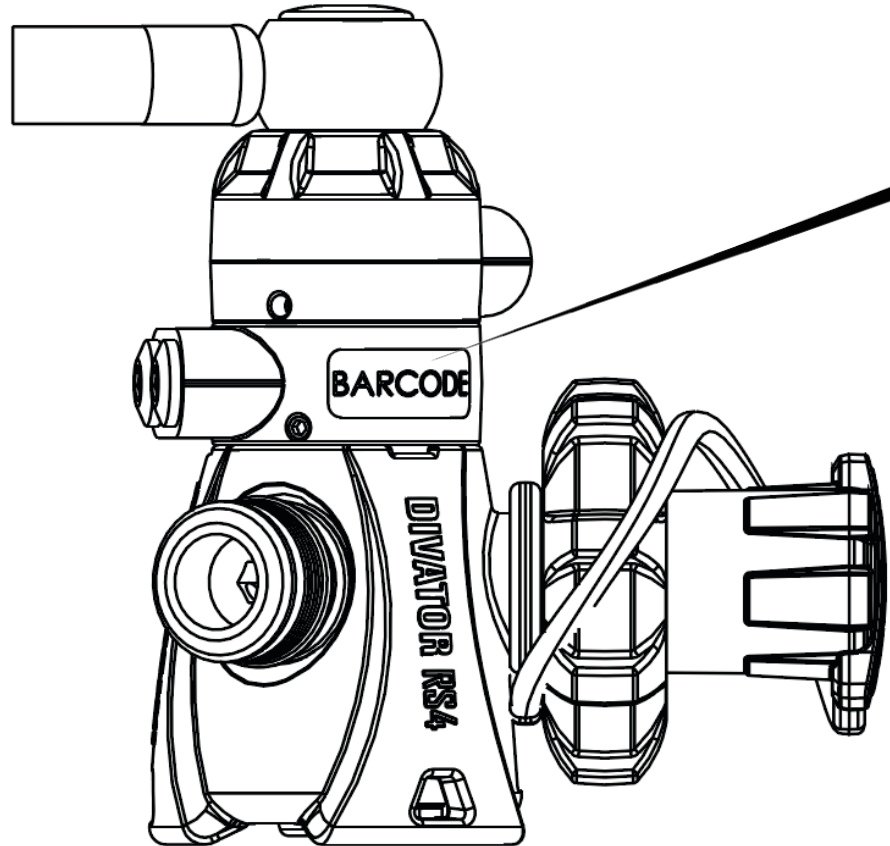
**Divator RS4**

Yoke connection



Robust shockproof design  
with rubber cover

# Marking of diving regulator MK4



[RYYWWXXX]

**Divator RS4**

**Serial number**

# Diving mask



**Divator full face mask**

# Marking of diving mask



XX XXX-XX

XXX XXX XXX

**Article number**



[MYYWWXXX]

1705052

[YYWWXXX]

**Serial number**



# Breathing valve



**Primary breathing valve  
with safety pressure**



**Primary breathing valve  
with normal pressure**

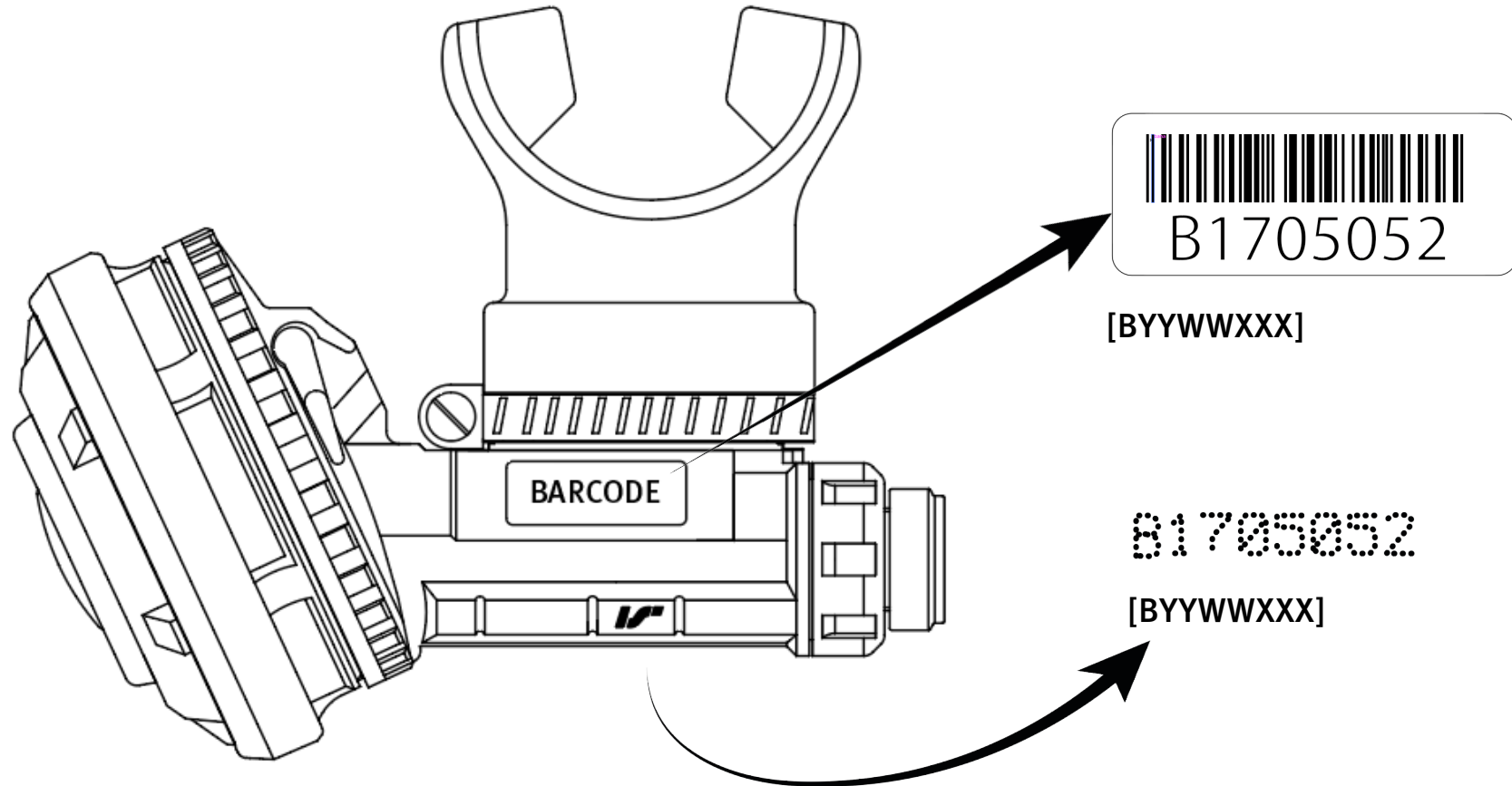
**Available with or without nozzle**

# Breathing valve - Octopus



**Secondary (octopus) with  
normal pressure**

# Marking of breathing valve



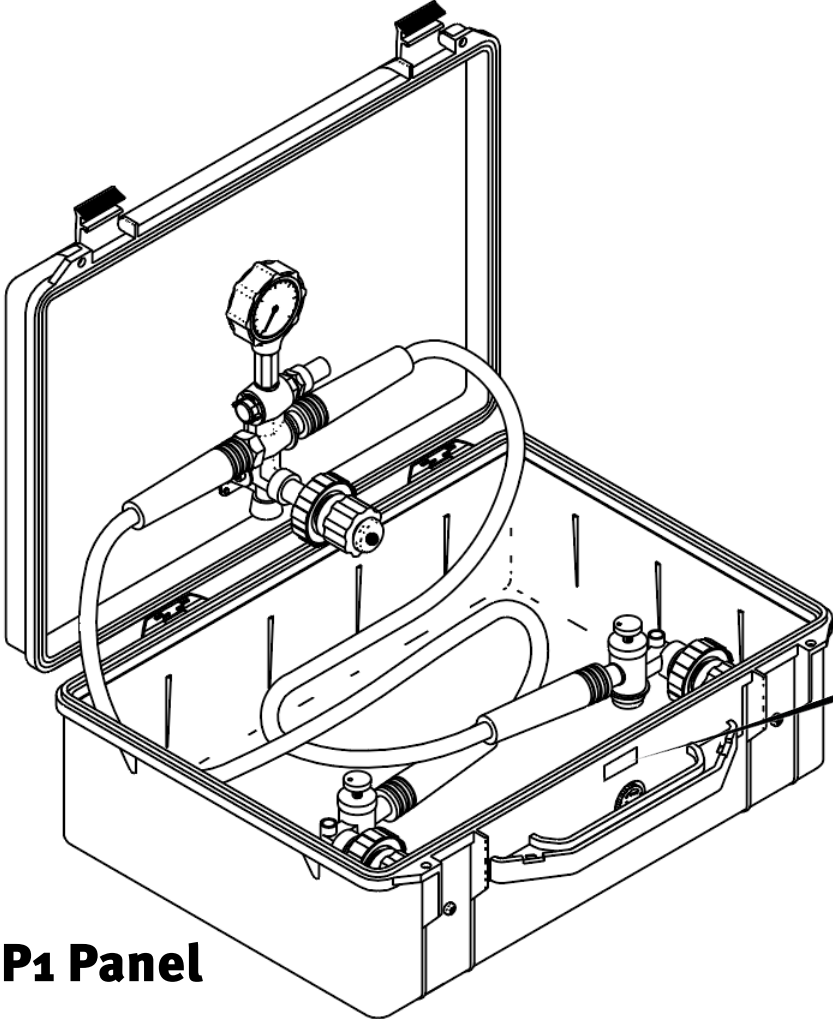
**Serial number**

# **DP<sub>1</sub> Surface supply**



**Divator DP<sub>1</sub> Panel**

# Marking of DP1 Surface supply



**Divator DP1 Panel**



[RYYWWXXX]

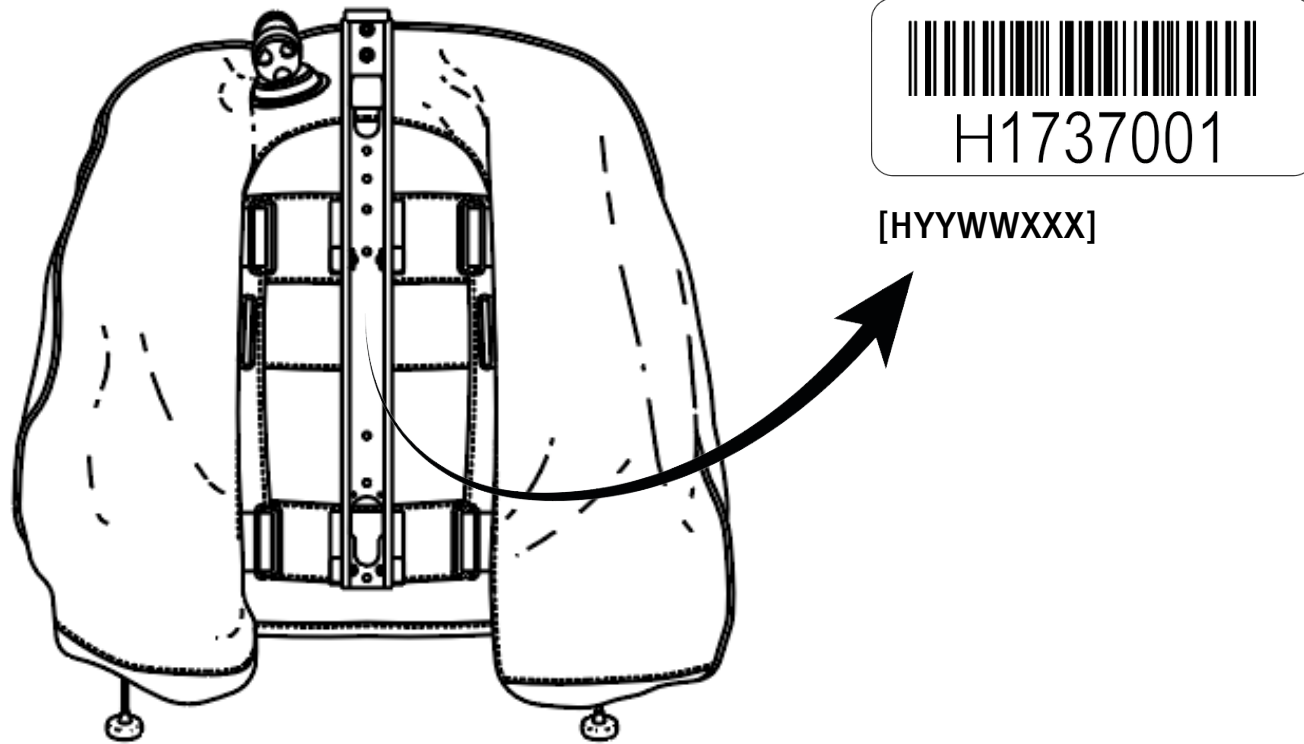
**Serial number**

# Diving vest - Rescue BC



**Divator Rescue BC**

# Marking of diving vest - Rescue BC



**Divator Rescue BC**

**Serial number**

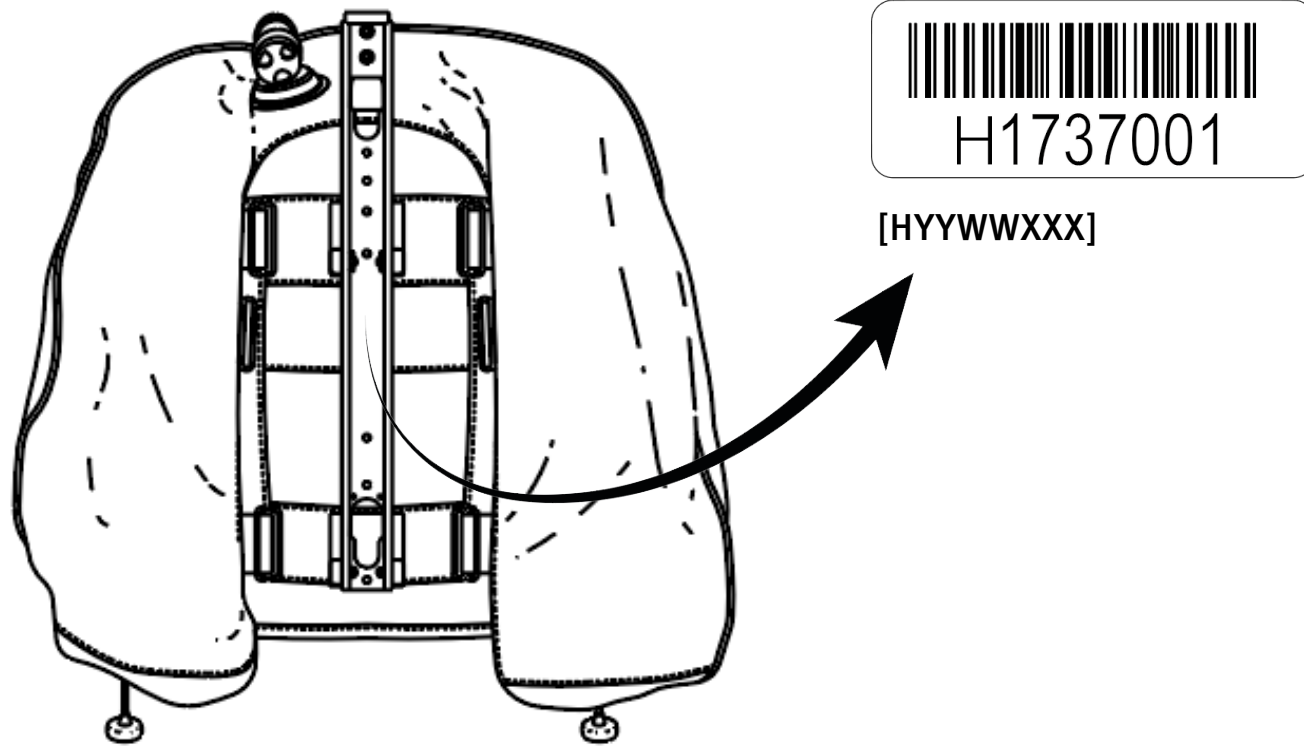
# Diving vest – BCW



**Divator BCW**



# Marking of diving vest – BCW



**Divator BCW**

**Serial number**